

# VAT

## New

### **Vatterfly Valve**

**Series 20.3  
with standard body**

**Series 20.4  
with extended body**



- **Compact design**
- **Two-step-motion mechanism:  
virtually particle-free**
- **Easy maintenance**

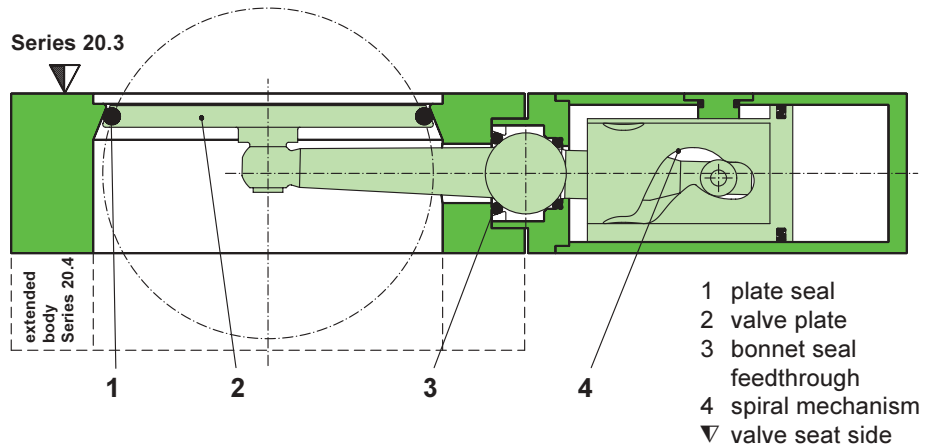
## Sealing materials

Plate: VITON

Bonnet: VITON

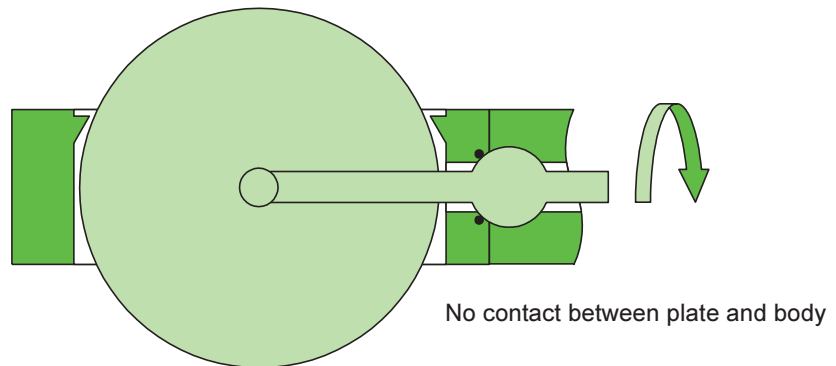
## Feedthrough

VITON / rotary feedthrough

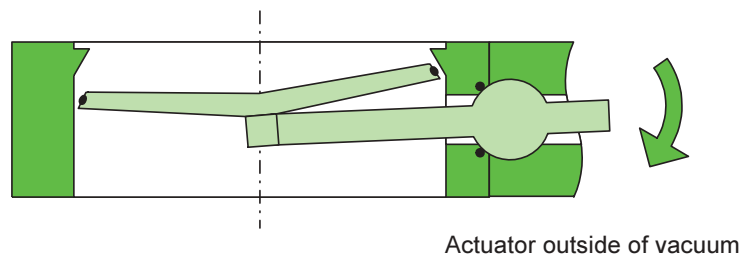


## Function

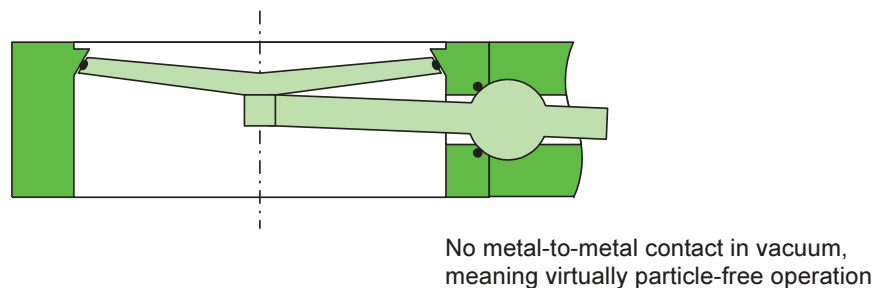
Motion step 1: Rotation



Motion step 2: Tilting



Valve closed



VITON® is a registered trademark of DuPont Dow Elastomers

## Ordering numbers

for valves with double acting  
pneumatic actuator  
with position indicator  
and solenoid (specify control voltage)

DN		standard body: series 20.3		extended body: series 20.4	
mm	inch	aluminum ISO-F	stainless steel ISO-F	aluminum ISO-F	stainless steel ISO-F
63	2 1/2	20336-PA44	20336-PE44	20436-PA44	20436-PE44
80	3	20338-PA44	20338-PE44	20438-PA44	20438-PE44
100	4	20340-PA44	20340-PE44	20440-PA44	20440-PE44
160	6	20344-PA44	20344-PE44	20444-PA44	20444-PE44
200	8	20346-PA44	20346-PE44	20446-PA44	20446-PE44

without solenoid, without position indicator: 20 . . . -P . **14**

without solenoid, with position indicator: 20 . . . -P . **24**

with solenoid, without position indicator: 20 . . . -P . **34**

## Technical data

Leak rate: body, valve seat	< 1 · 10 <sup>-9</sup> mbar ls <sup>-1</sup>
Pressure range	1 · 10 <sup>-8</sup> mbar to 2 bar (abs)
Differential pressure on the plate	≤ 1.2 bar in opening direction ≤ 1.6 bar in closing direction
Differential pressure at opening	≤ 500 mbar
Cycles until first service	100,000 at T <sub>max</sub> 80°C
Cycle life	500,000
Temperature	
- Valve	0°C - 150 °C
- Position indicator	0°C - 80 °C
- Solenoid	0°C - 50 °C
Material	
- Aluminum version:	body: AlMgSi1 plate: AlMgSi1 mechanism: AISI 316L (1.4435)
- Stainless steel version:	body: AISI 304 (1.4301) plate: AISI 316L (1.4435) mechanism: AISI 316L (1.4435)
Seal: bonnet, feedthrough, plate	VITON
Mounting position	any
Solenoid	24 V DC, ≤ 7.6 W
Position indicator: contact rating	0.5 A/50 VAC, 0.5 A/75 VDC, max. 10 W

DN (nom. I.D.)		molecular flow conductance ls <sup>-1</sup>	compressed air pressure min. - max. overpressure		volume of air cylinder		closing or opening time s	weight			
mm	inch		bar	psi	l	ft <sup>3</sup>		stainless steel body kg	lbs	aluminum body kg	lbs
<b>Series 20.3</b>											
63	2 1/2										
80	3	700	4—7	60—100	0.2	.0018	0.5	7.4	13.2	3.8	7.9
100	4	1400	4—7	60—100	0.2	.0018	0.5	8	13.2	4	7.9
160	6	4000	4—7	60—100	0.3	.0028	1	16.1	29.4	8.7	15.5
200	8	7500	4—7	60—100	0.8	.006	1.5	32.6	68.5	16.2	36.4
<b>Series 20.4</b>											
63	2 1/2										
80	3	600	4—7	60—100	0.2	.0018	0.5	8.4	20.7	4.2	10.8
100	4	1050	4—7	60—100	0.2	.0018	0.5	10.1	20.7	4.7	10.8
160	6	2550	4—7	60—100	0.3	.0028	1	22.9	46.2	11	20.9
200	8	4700	4—7	60—100	0.8	.006	1.5	36.7	77.9	21.5	50.2

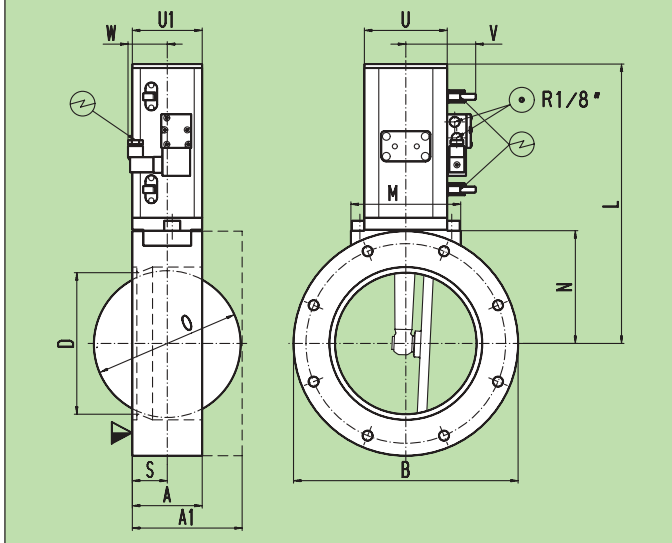
## Dimensions

- ▽ valve seat side
- ⊙ compressed air connection
- ⊕ electrical connection

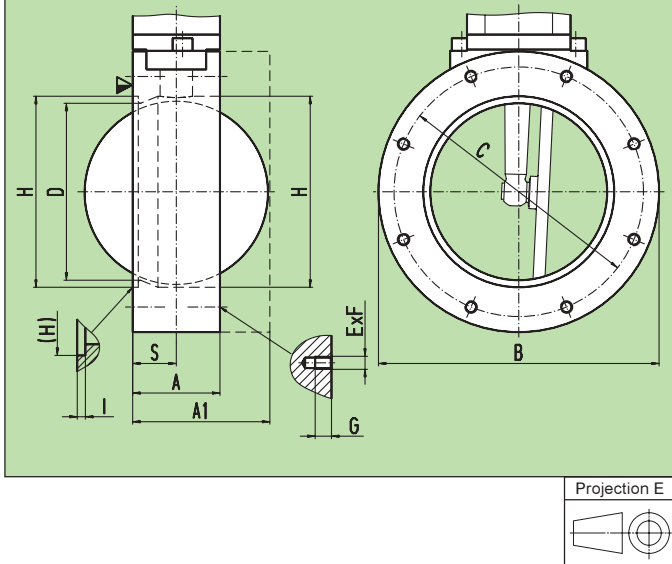
A for standard body series 20.3

A1 for extended body series 20.4

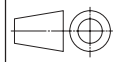
Valve DN 63 - 200 (2½" - 8")



ISO-F flanges DN 63 - 200 (2½" - 8")



Projection E



DN	mm	63	80	100	160	200
inch		2½	3	4	6	8
A	mm		60	60	70	90
inch			2.36	2.36	2.76	3.54
A1	mm		70	80	110	145
inch			2.76	3.15	4.33	5.71
B	mm		145	165	225	300
inch			5.71	6.5	8.86	11.81
D	mm		76	95	142	192
inch			2.99	3.74	5.59	7.56
L	mm	228	228	285	371	
inch		8.98	8.98	11.22	14.61	
M	mm	86	86	110	140	
inch		3.39	3.39	4.33	5.51	
N	mm	82.5	82.5	113	147.5	
inch		3.25	3.25	4.45	5.81	
O	mm	80	100	147	199	
inch		3.15	3.94	5.79	7.83	
S	mm	30	30	35	45	
inch		1.18	1.18	1.38	1.77	
U	mm	70	70	83	103	
inch		2.76	2.76	3.27	4.06	
U1	mm	60	60	70	90	
inch		2.36	2.36	2.76	3.54	
V	mm	65	65	70	80	
inch		2.56	2.56	2.76	3.15	
W	mm	40	40	40	30	
inch		1.57	1.57	1.57	1.18	

DN	mm	63	80	100	160	200
inch		2½	3	4	6	8
A	mm		60	60	70	90
inch			2.36	2.36	2.76	3.54
A1	mm		70	80	110	145
inch			2.76	3.15	4.33	5.71
B	mm		145	165	225	300
inch			5.71	6.5	8.86	11.81
C	mm		125	145	200	260
inch			4.92	5.71	7.87	10.24
D	mm		76	95	142	192
inch			2.99	3.74	5.59	7.56
E x F			8 x M8	8 x M8	8 x M10	12 x M10
G	mm		12	12	15	15
inch			.47	.47	.59	.59
H	mm		83	102	153	213
inch			3.27	4.02	6.02	8.39
I	mm		2.5	2.5	4.5	4.5
inch			.1	.1	.18	.18
S	mm		30	30	35	45
inch			1.18	1.18	1.38	1.77

Please contact your local VAT representative for more detailed information on these or other VAT products.

### Swiss Headquarters

Tel ++41 81 771 61 61  
 Fax ++41 81 771 48 30  
 Email reception@vat.ch

### VAT U.K.

Tel 01926 452 753  
 Fax 01926 452 758  
 Email uk@vatvalve.com

### VAT France

Tel 01 69 20 69 11  
 Fax 01 69 20 90 08  
 Email france@vatvalve.com

### VAT Japan

Tel (045) 333 11 44  
 Fax (045) 333 70 24  
 Email sales@vatskk.co.jp

### VAT Germany

Tel (089) 46 50 15  
 Fax (089) 46 37 65  
 Email deutschland@vatvalve.com

### VAT USA

Tel (781) 935 1446  
 Fax (781) 935 3940  
 Email usa@vatvalve.com

<http://www.vatvalve.com>