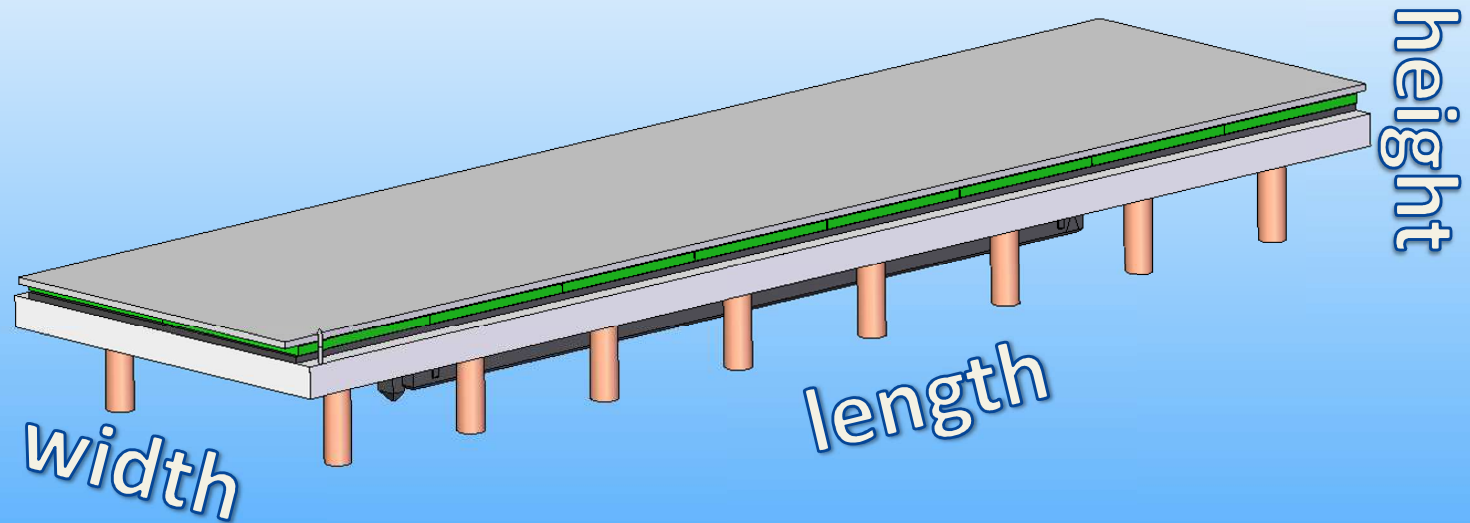


Mechanics

defining dimensions



Sensor
ASIC
Heatspreader
LTCC
Screws
Connector

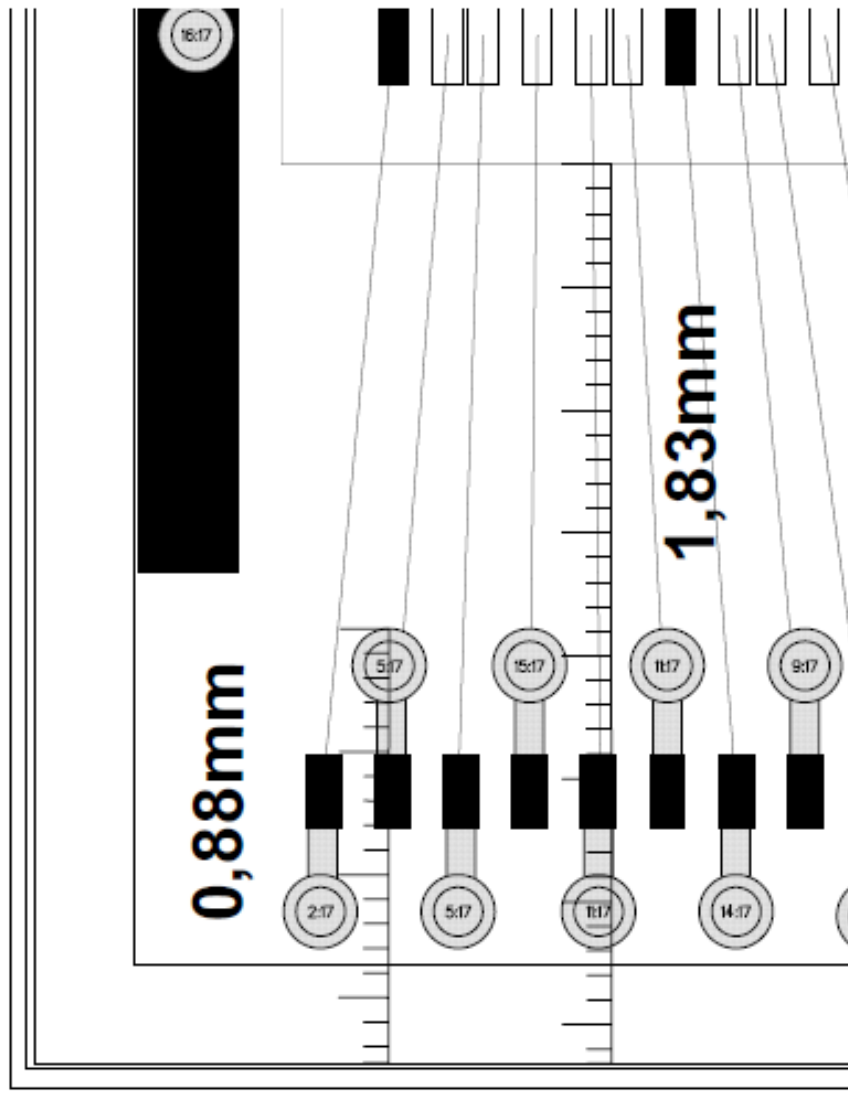


AGIPD Sensorstack

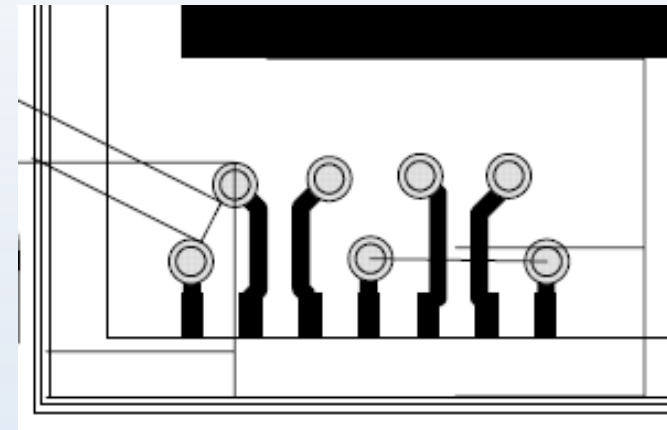
Wirebond pad pitch



LAMBDA layout: 150 μm pitch

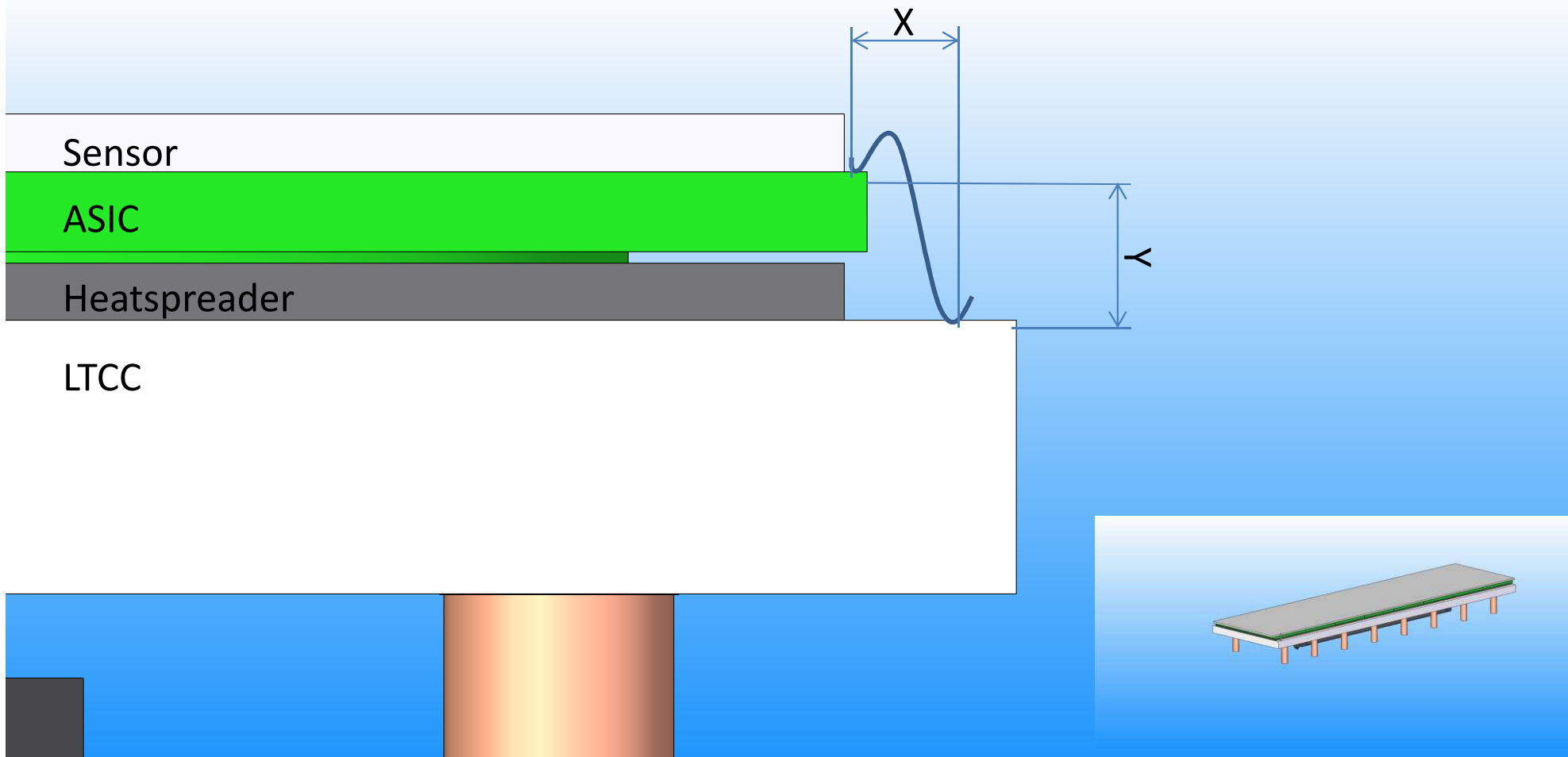


Proposed AGIPD layout: 200 μm pitch

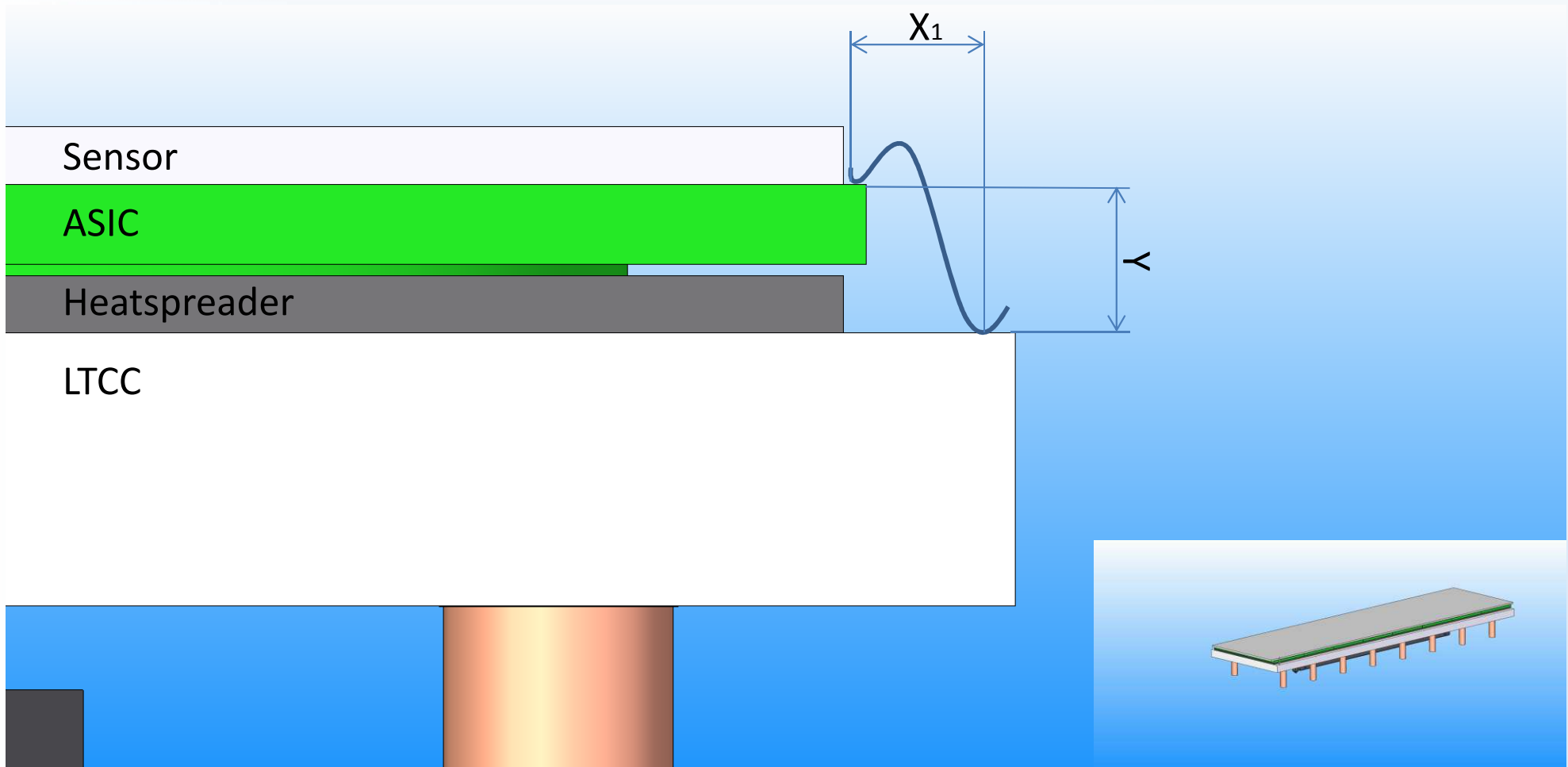


Saves up to 300 μm on each side of the LTCC
-> up to 3 pixels less dead space!

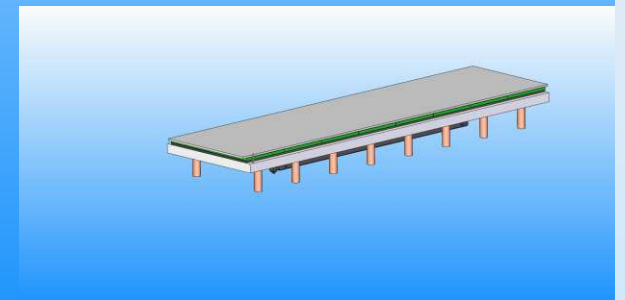
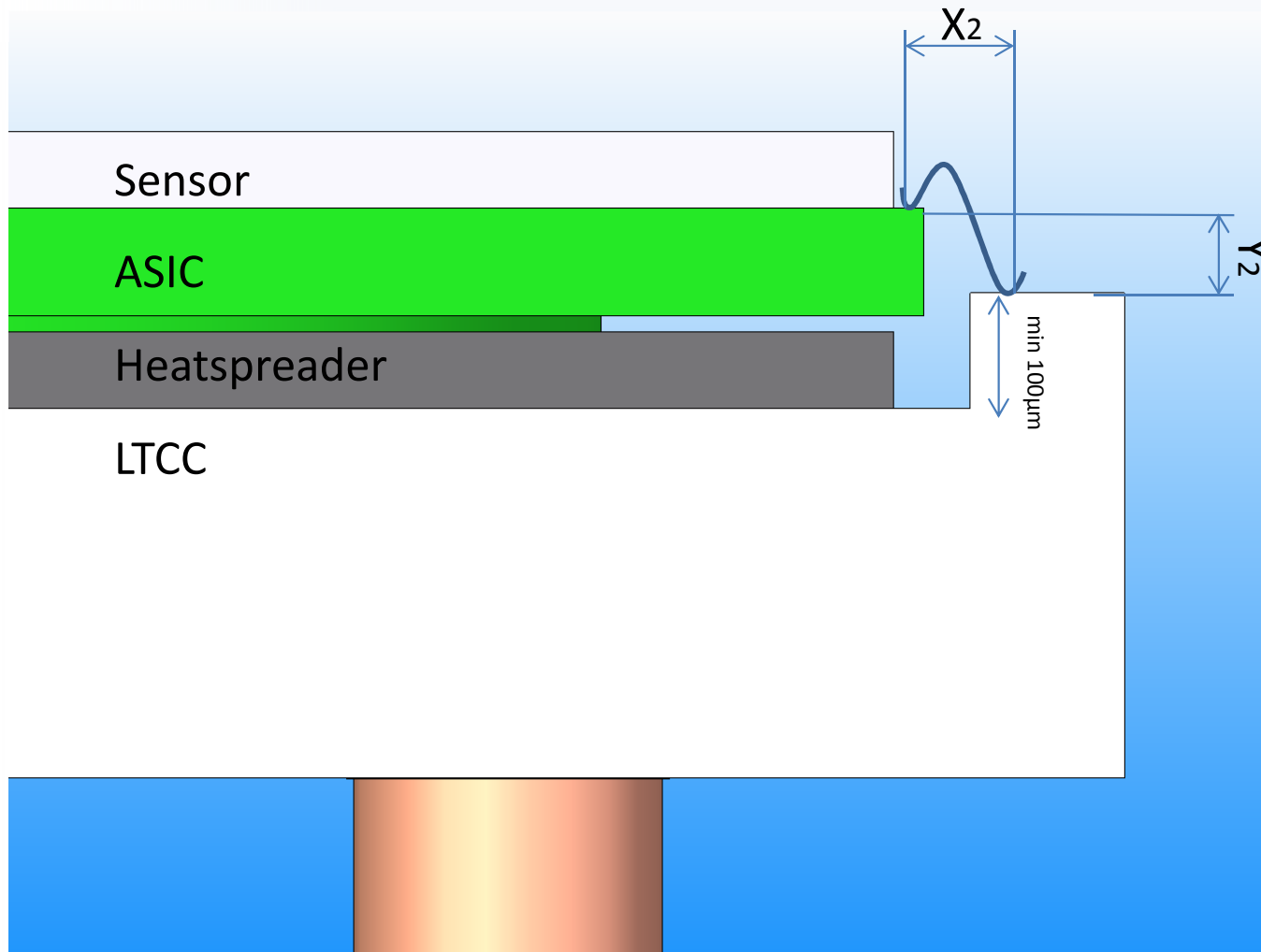
defining dimensions



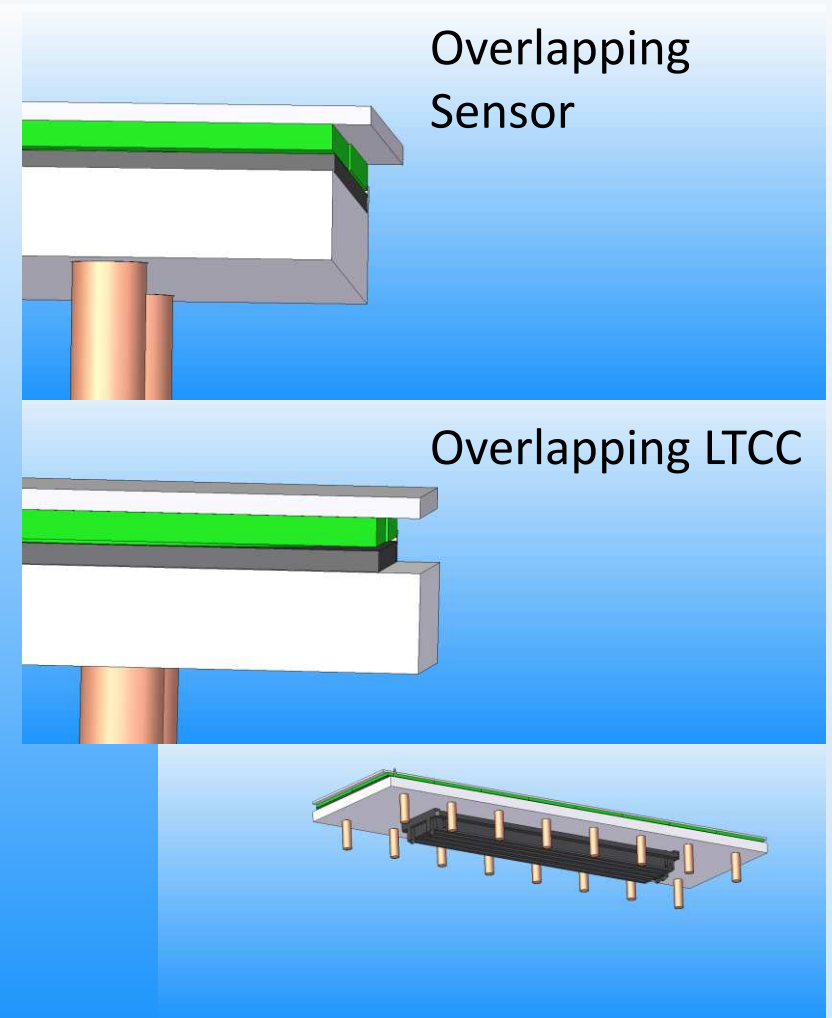
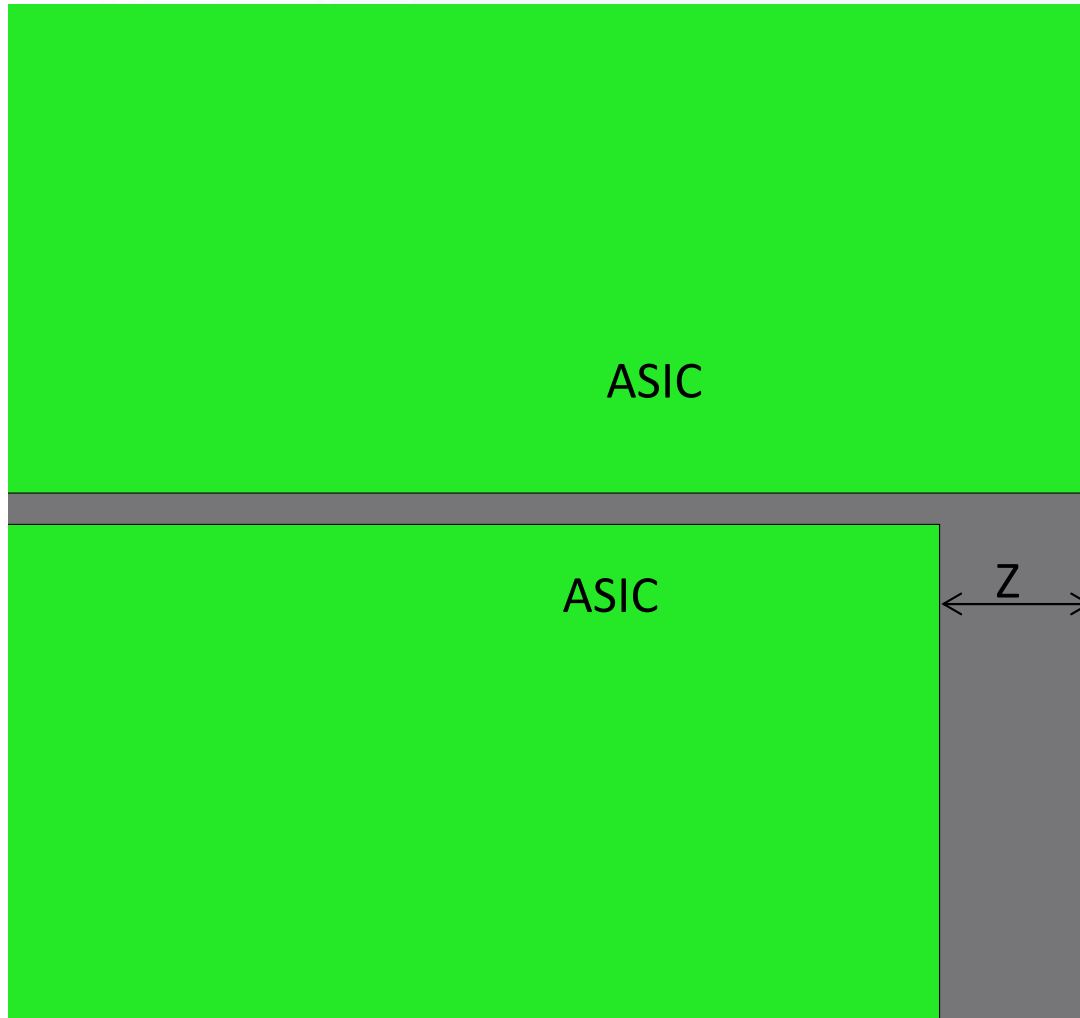
defining dimensions



defining dimensions



defining dimensions

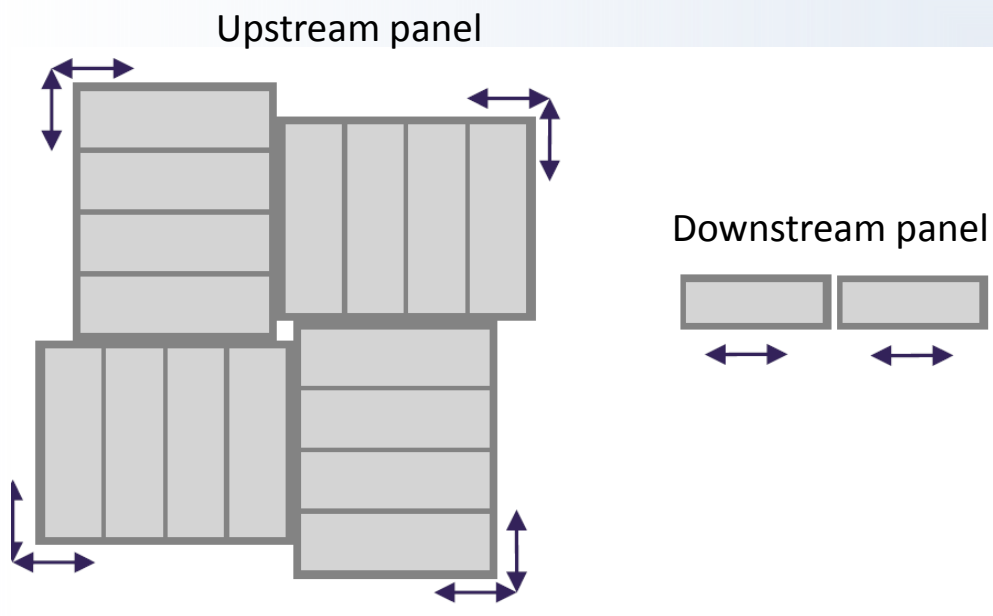


defining dimensions

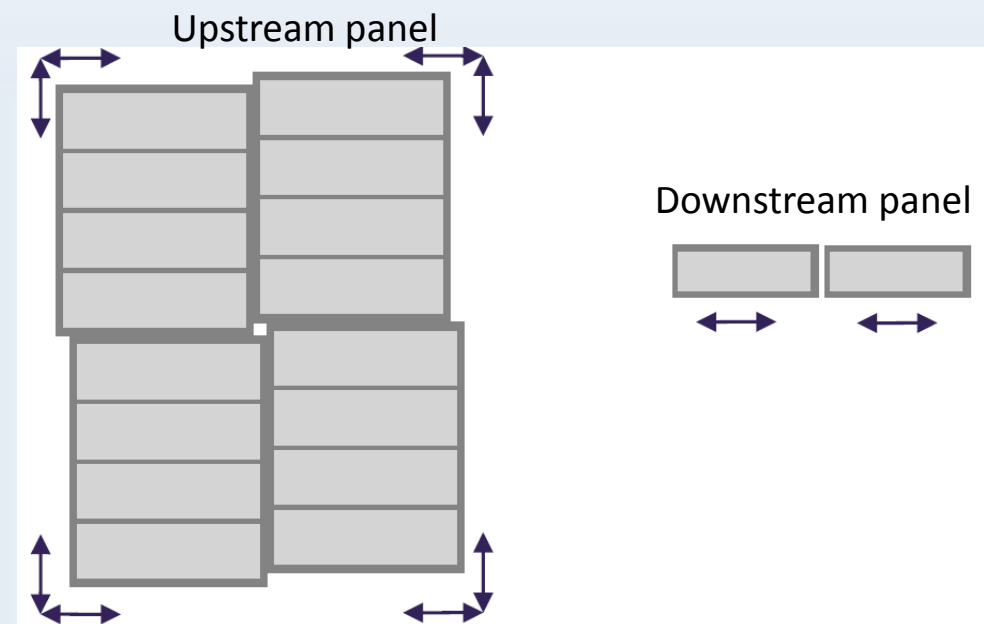


General Concepts

Windmill



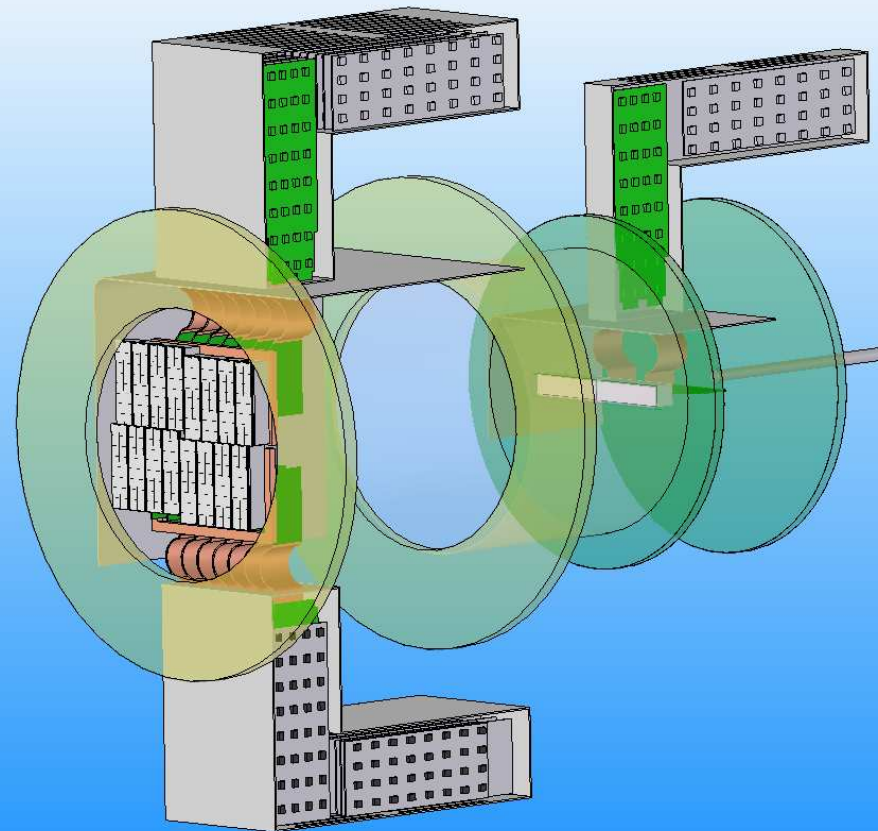
Basic



Pictures stolen from Adrian Mancuso

General Concepts

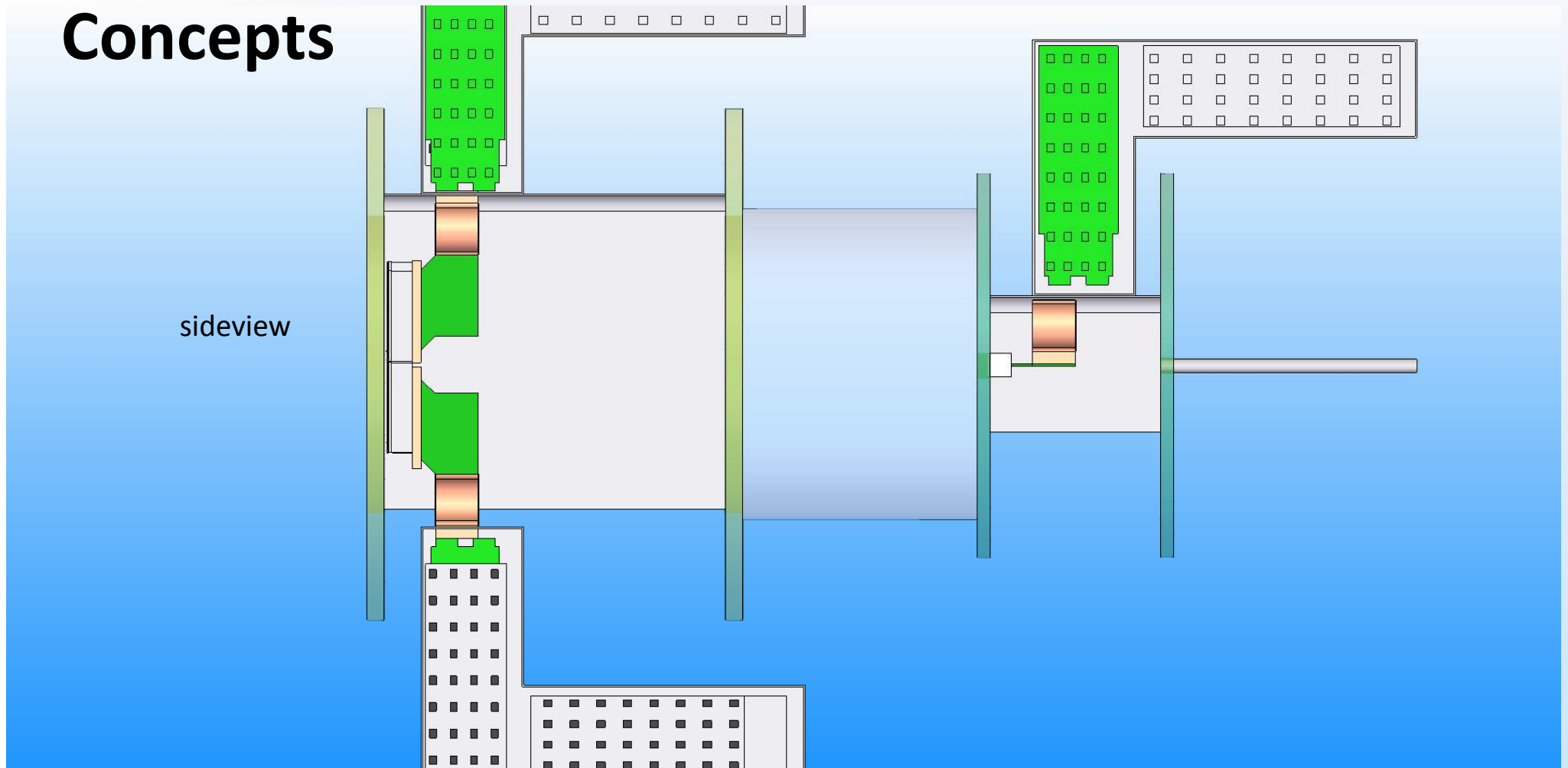
Windmill
or basic
concept ?



defining dimensions



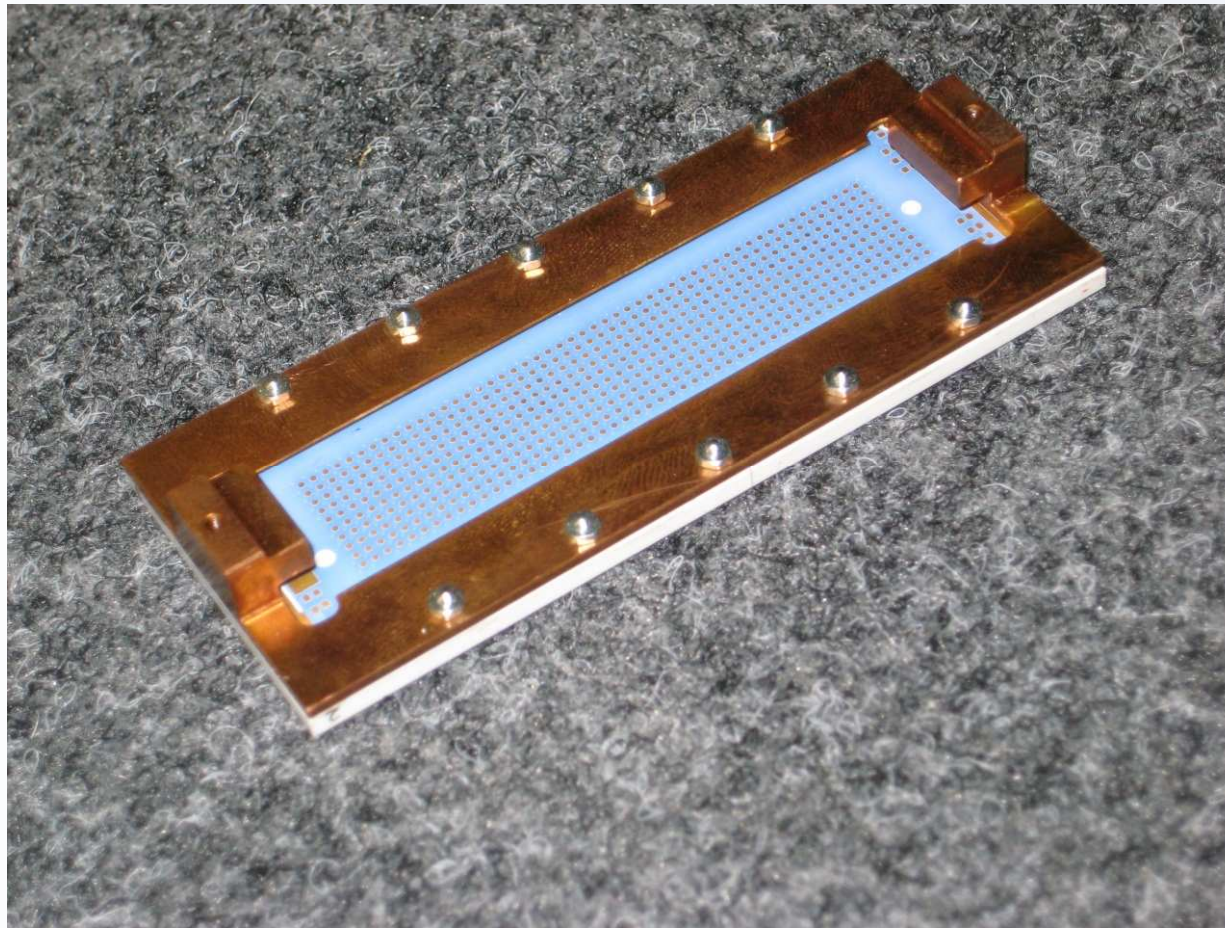
General Concepts



Screwed module



Screwed with 10x M 1,4, without any preparations



Heatcycle Test:

Heated up to 50 °C

Cooled down to -40°C

No visible damages in the ceramics



Thanks
for
your
attention